

INT-AC-C401C

uReader-B Taco-D8

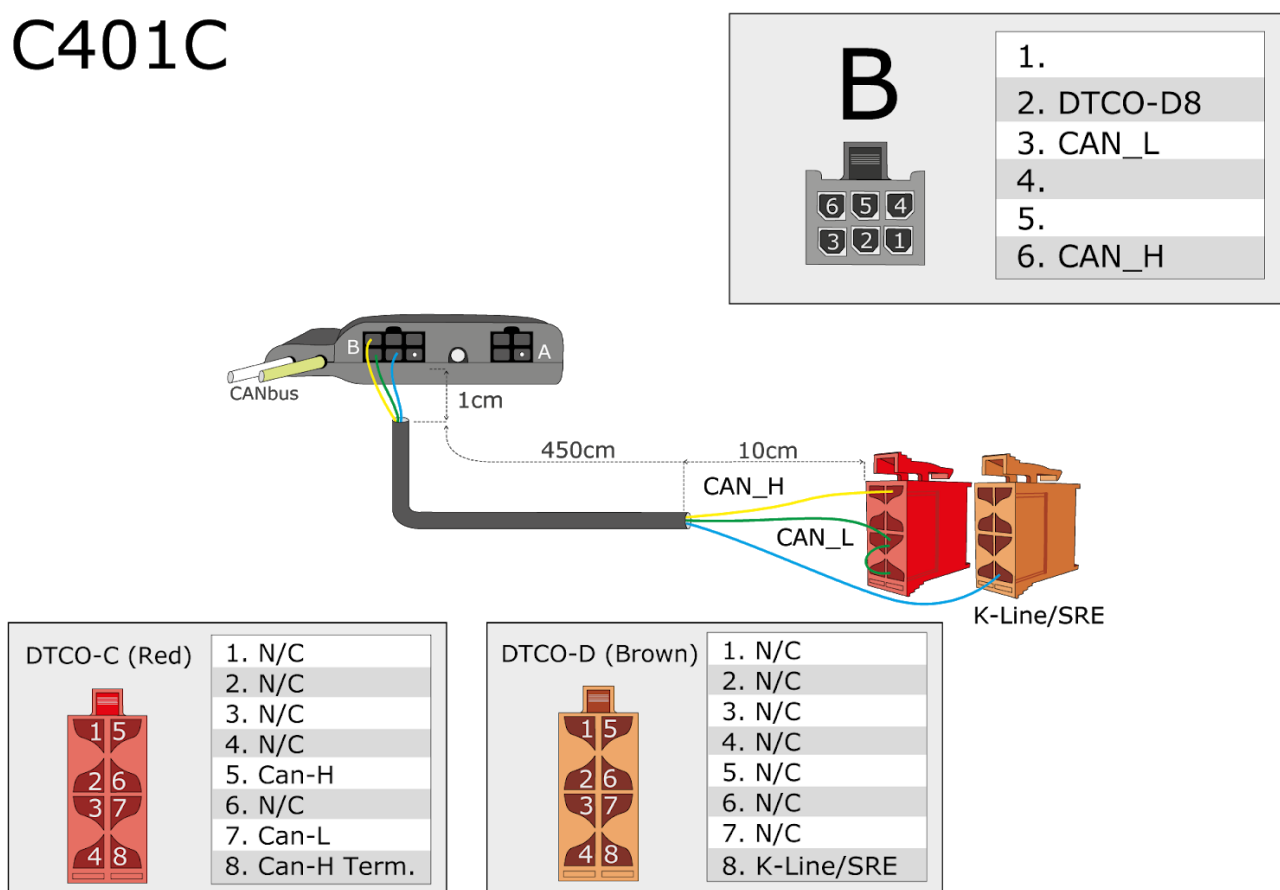
1. Descripción - Description:

Permite la conexión de dispositivos uReader al tacógrafo mediante CANbus (DTCO-C) y K-line (DTCO-D8).

Allows the connection of uReader devices to tachograph using CANbus (DTCO-C) and K-line (DTCO-D8).

2. Esquema - Schematics:

C401C



! El color de los cables se utiliza sólo como referencia. El color puede cambiar sin previo aviso. Compruebe siempre que cada cable llega al pin del conector correspondiente.

! The wire colors are only as reference. The color may change without notice. Always check that each wire reaches the correct pin of the connector.

3. Compatibilidad – Compatibility

- uReaderFMS.
- uReaderGPS.

Document revision History

#	Date	Author	Apvd	Changes
r01	2019/09/05	JVL	DVL	First release
r02	2019/09/13	JVL	DVL	Device illustration changed to uRFMS
r03	2020/10/07	JVL		New overall length (400cm to 450cm)
r04	2020/10/15	FGM	FGM	Adapt CI + source format export to Gdoc.